

INSTRUCTIONS

PTH Hardware - 6'-15' Portable Half Drop and Teardrop



Includes:
Sectional Aluminum and Fiberglass Pole
Ground Spike
Carrying Case

The number, length and style of sectional pole pieces will vary based on banner size and shape.



1

Assemble sectional poles by placing end to end - largest to smallest.

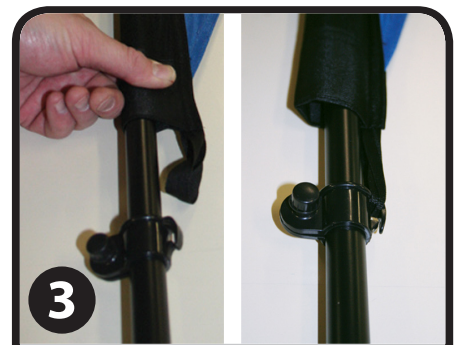
Note: If any sectional poles slide down several inches, then they are upside down.



2

Slide the banner onto the pole via the pole sleeve, starting from the small end.

Note: Be sure to feed the hardware all the way through the sleeve, to the tip of the banner.



3

Loosen the screw of the attachment hook near the base of the pole and slide it towards the loop at the bottom of your banner. Then put that loop into the attachment hook and adjust the hook position to make banner flat (taut). Tighten the screw of the attachment hook to secure the banner. *For 15' hardware, there may be an attachment hook OR a tether line.*



4

Hammer taller portion of the ground spike fully into the ground. Then insert pole with banner onto peg. For best vertical presentation, check with a level front-to-back and side-to-side.



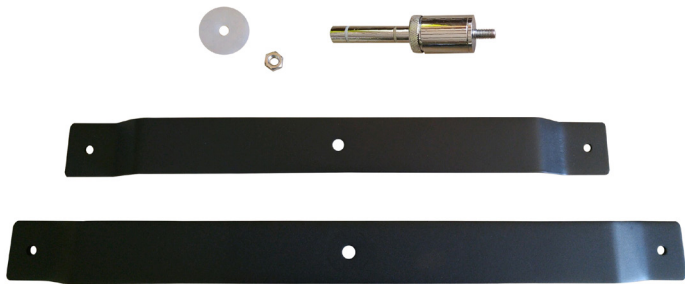
WARNING:
Do not hammer the shorter peg with the rubber O-rings.



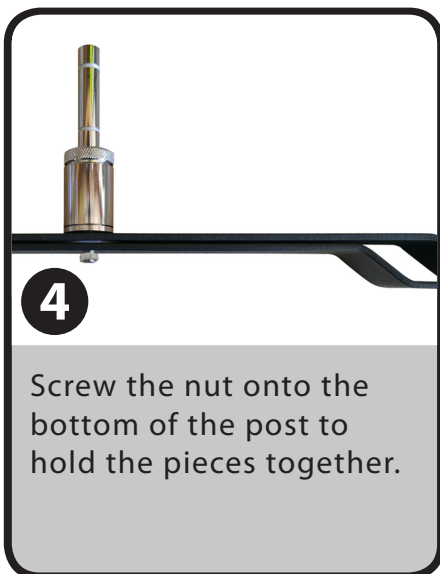
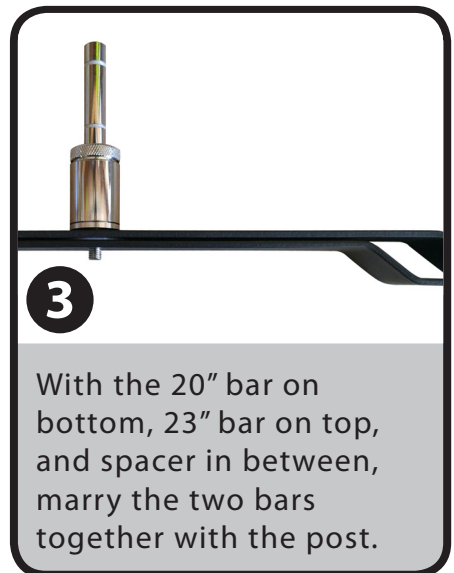
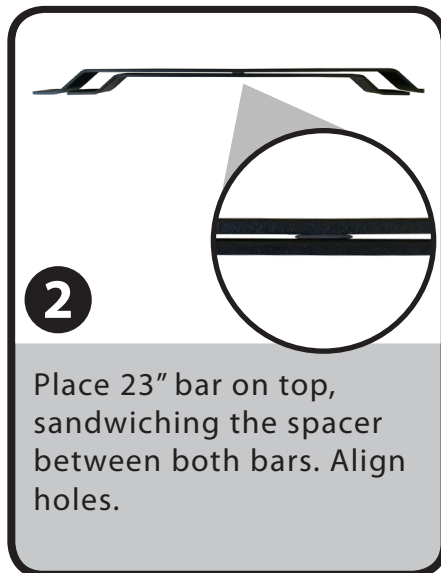
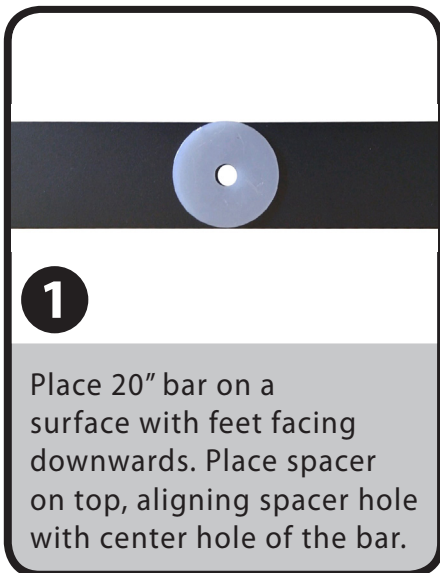
This product is for outdoor promotional use only and should not be left out in extreme weather conditions. Please use common sense guidelines and do not display this product outdoors when extreme winds or storms may be present.

INSTRUCTIONS

Standard Cross Base



Includes:
20" Bar
23" Bar
Post
Nut
Spacer*



* Spacer may not be included with cross base. It is an optional piece and not required for use.